

Beam Boost

Installation Guide

Beam Boost Cell Phone Booster

Index

- **Page- 1** Beam Boost Installation
- **Page- 6** Antenna Connection Diagram
- **Page- 9** Troubleshooting and FAQs

Note: Read the manual thoroughly and contact our Technical Support if you feel stuck

Beam Boost Signal Booster

Contents In Box

Beam Boost (1x Indoor & 1x Outdoor Antennas)

- 1x Signal Booster
- 1x Large Outdoor Antenna (50ft Cable For Outdoor Antenna)
- 1x Indoor Panel Antenna (16 ft Cable For Indoor Antenna)
- Mounting Plates (for mounting the indoor antenna on the wall and outdoor antenna on the pole)
- Installation Guide
- Power Adapter

Beam Boost (2x Indoor & 1x Outdoor Antennas)

- 1x 5G Signal Booster
- 1x Large Outdoor Antenna (50ft Cable)
- 1x Indoor Panel Antenna & 1x Indoor Omni Antenna (20ft Cable)
- 1x Two-way Splitter (1x 3ft Cable)
- Mounting Plates (for mounting the indoor antenna on the wall and outdoor antenna on the pole)
- Installation Guide
- Power Adapter

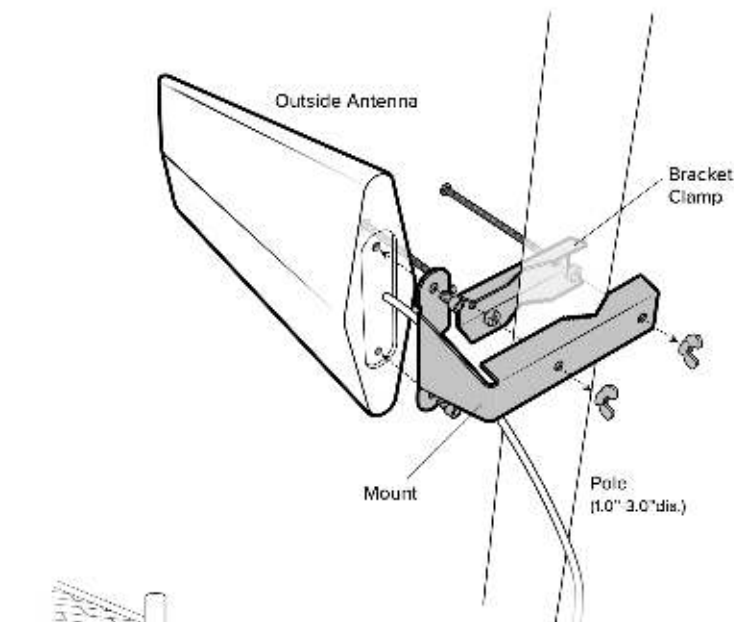
Beam Boost (2x Indoor & 2x Outdoor Antennas)

- 1x 5G Signal Booster
- 2x Large Outdoor Antenna (50ft + 50ft Cable)
- 1x Indoor Panel Antenna & 1x Indoor 360 Antenna (32ft + 6ft Cables)
- 2x Two-way Splitter (2x 3ft Cable)
- Mounting Plates (for mounting the indoor antenna on the wall and outdoor antenna on the pole)
- Installation Guide
- Power Adapter

Step-1: Mount and Point Outdoor Antenna

Pole mounting options are included. The pole mounting option is preferred because it will be easier to adjust to the cell tower's direction.

Attach the **mount** to the outside antenna and use the bracket clamp to attach the antenna to a pole or exhaust pipe.

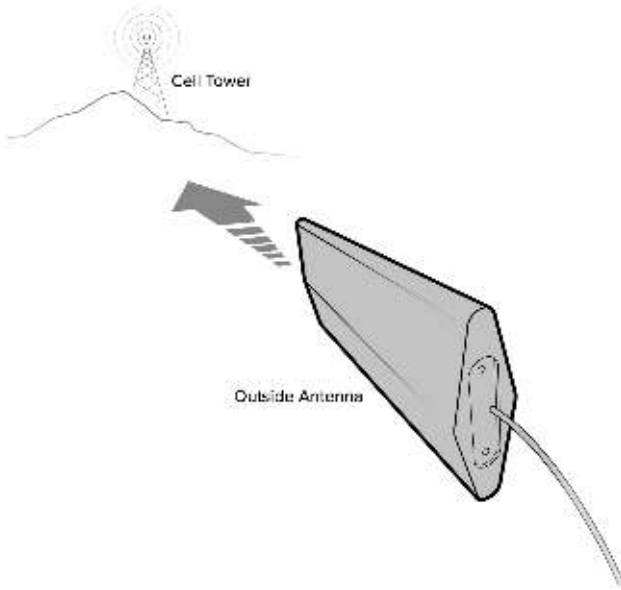


NOTE: Mounting on existing roof exhaust pipe would be a good time-saver option. Watch out for power lines.

Step 1 cont...

Point the **outdoor** antenna toward the nearest cell phone tower. To find the nearest cell tower, use the OpenSignal Mobile App (iOS & Android) **This is the most critical step of the installation process because it will determine the overall performance of the booster's system.**

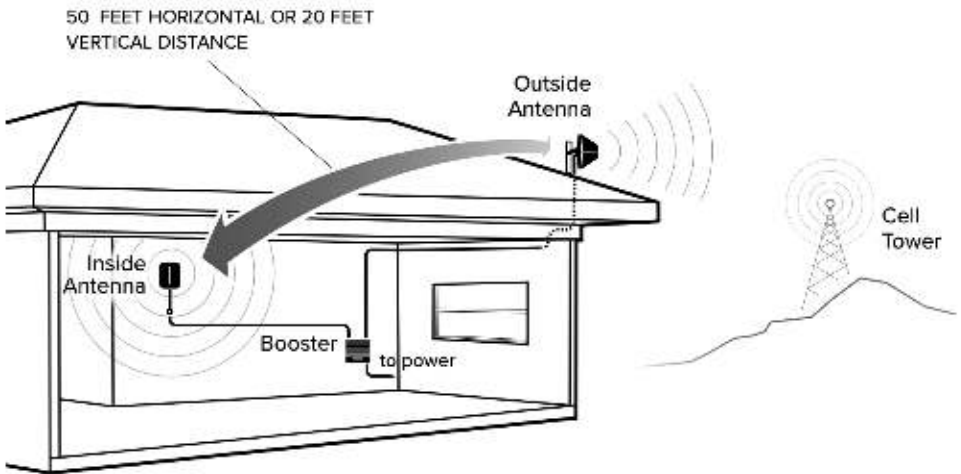
The greater the separation between the **inside** and **outside** antennas, the better performance you will get from the booster.



NOTE: Dual outdoor antennas can be pointed to one network carrier for better gain, and if you wish to use **two cell networks**, point each outdoor antenna towards both cell towers.

Step 2: Inside Antenna & Booster Placement

Place the inside antenna where you need the greatest signal boost and place the booster in your desired location at **least 24"** away from the inside antenna



Note: *The outside antenna must be at least **50 feet horizontal OR 20 feet vertical** from the inside antenna for best performance. Make sure the inside antenna and outside antennas are set up so they are **facing away** from each other.*

TIP: *Mount the Dome Shaped Ceiling antenna pointing downward to avoid interference with the outdoor antenna.*

Step 3: Connecting Booster With Antennas

The configuration of each Beam Boost bundle varies slightly due to the different number of antennas. The Connection Diagrams below provide a better understanding of the system.

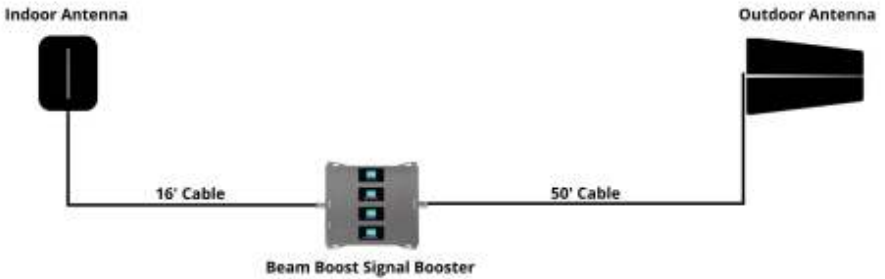
Connecting Antennas with the Booster

1. Use the **MS port(INDOOR)** on Beam Boost Signal Booster to connect the **Indoor Antenna**
2. Use the **BTS port(OUTDOOR)** on Beam Boost Signal Booster to connect the **Outdoor Antenna**

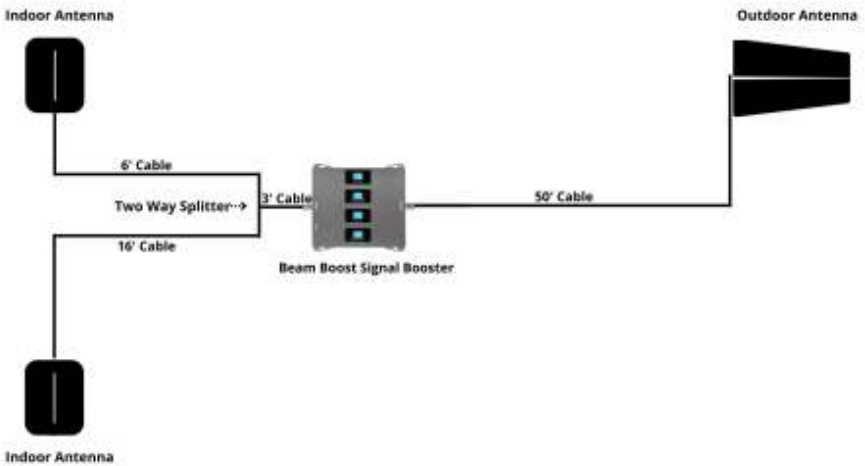
TIP: **Dual outdoor antennas** can be pointed to one network carrier for better gain, and if you wish to use **two cell networks**, point each outdoor antenna towards both cell towers.

Connection Diagrams

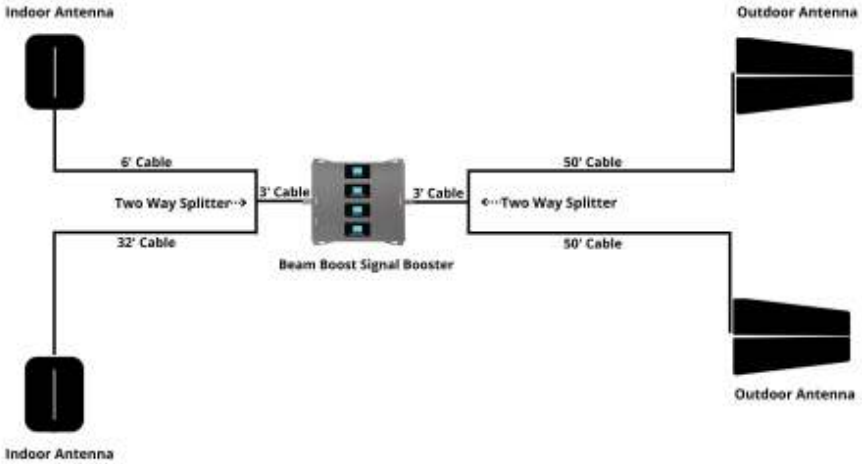
Beam Boost Bundle 1 (1x Indoor & 1x Outdoor Antennas)



Beam Boost Bundle 2 (2x Indoor & 1x Outdoor Antennas)



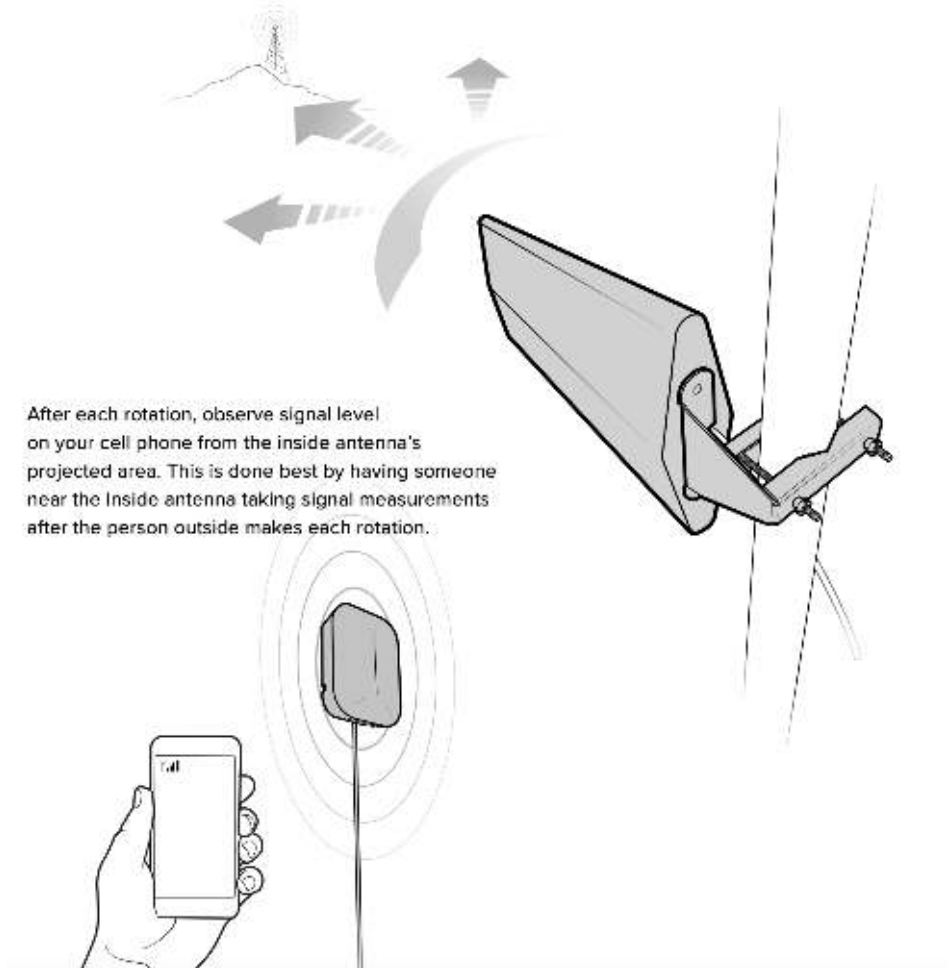
Beam Boost Bundle 3 (2x Indoor & 2x Outdoor Antennas)



TIP: You can use the included cable however you like, as long as you maintain the distance between the indoor and outdoor antennas, i.e (You can use a 50' outdoor cable with an indoor antenna, Additionally you can also use one' cable to connect both outdoor antennas using a splitter at the outside end)

Step 4: Powering Up The Booster & Optimizing

After powering up your system, you are now ready to optimize your system. Rotate the outside antenna in 1/3 turn increments, **after each turn, unplug and reconnect the booster to power while observing the signal level on your cell phone from the inside antenna's projected area.** Secure the outside antenna in place, pointing in the direction that gives you the strongest signal. **Enjoy your boosted signal!**



Troubleshooting and FAQs

1. Signal Booster is Boot Looping

Make sure that indoor and outdoor antennas are not facing each other. And try removing the power supply and connecting it again.

2. Can I Add More Cable To System

Yes, You can add up to 100' of COAX cable in the system for outdoor and indoor Antennas

3. Worked for a while and stopped working now

Check to make sure the cable connection is tight. Make sure the power adapter is working.

In case of any problems or questions feel free to contact technical support,

E-mail– support@beamboost.us

Website– beamboost.us/contact-us